

IN THE UNITED STATES PATENT AND TRADEMARK OFFICE

In re application of

Pascal AGIN, et al.

Appl. No.: 37 CFR 1.53(b) Continuation of  
09/348,005, filed July 6, 1999

Confirmation No.: NOT YET KNOWN

Group Art Unit: 2681

Filed: January 7, 2002

Examiner: T. LEGREE

For: A METHOD FOR IMPROVING PERFORMANCES OF A MOBILE  
RADIOCOMMUNICATION SYSTEM USING A POWER CONTROL ALGORITHM

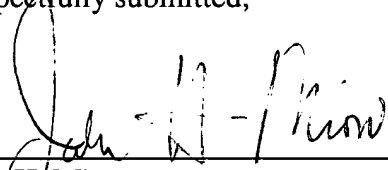
SUBMISSION OF CORRECTED FORMAL DRAWING

Commissioner for Patents  
Washington, D.C. 20231

Sir:

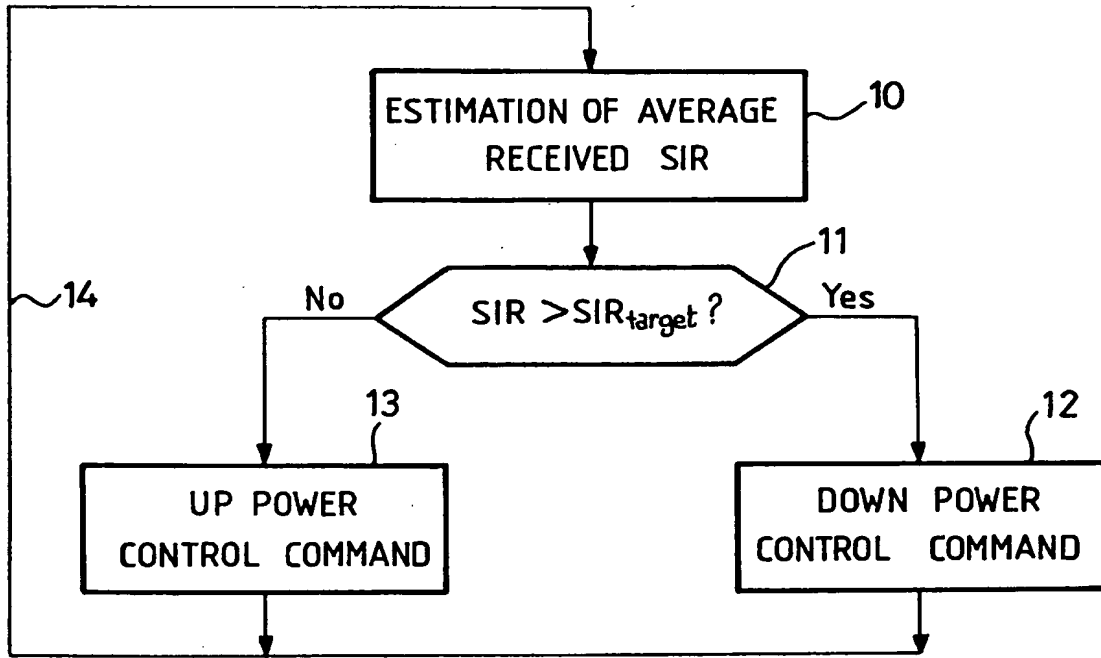
Applicant submits herewith three (3) sheets of corrected formal drawing (Figs. 1-5) whereby all corrections made in prior application No. 09/348,005, are incorporated herein. The Examiner is respectfully requested to acknowledge receipt of this corrected formal drawing.

Respectfully submitted,

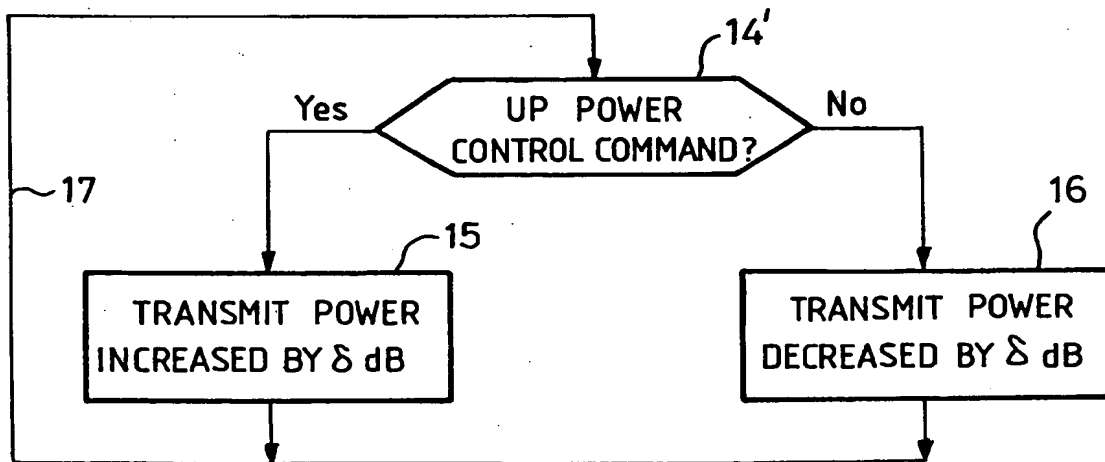
  
\_\_\_\_\_  
John H. Mion  
Registration No. 18,879

SUGHRUE MION, PLLC  
2100 Pennsylvania Avenue, N.W.  
Washington, D.C. 20037-3213  
(202) 663-7901  
January 7, 2002

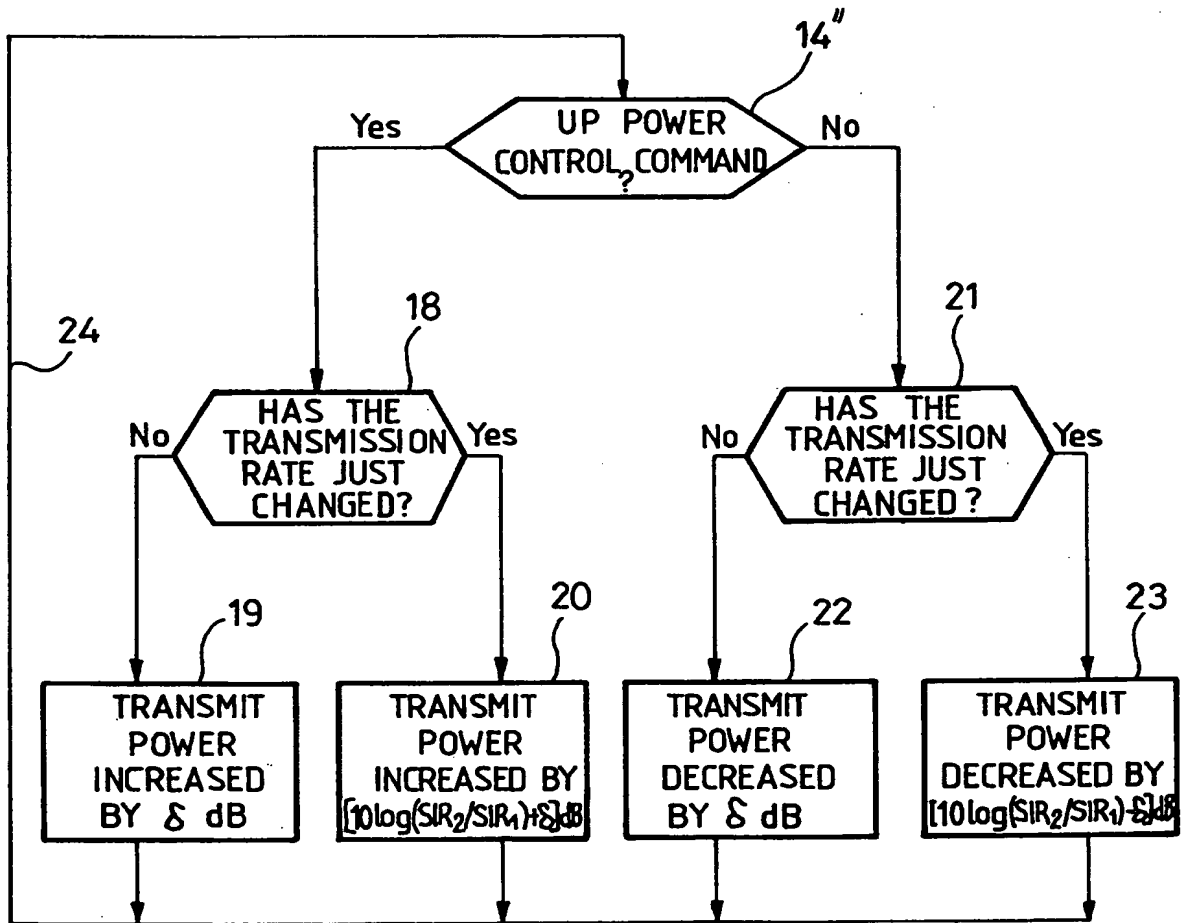
FIG\_1 PRIOR ART



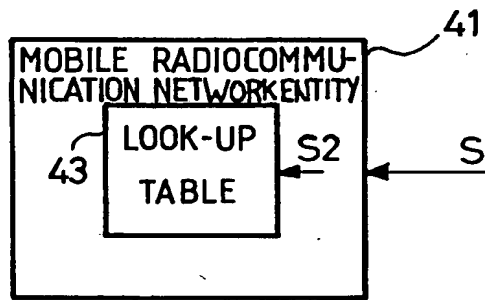
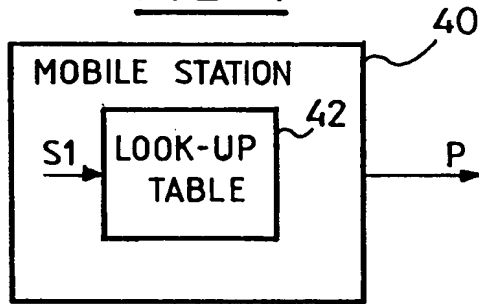
FIG\_2 PRIOR ART



FIG\_3



FIG\_4



FIG\_5

